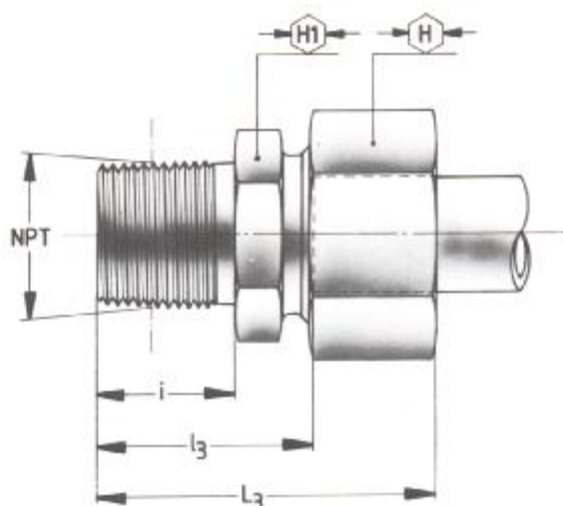




N.P.T. (ASA B2.1.1960) - SERIE L



Série	Ø tube			NPT	H	H ₁	L ₃	i	i	
PN 250	6	0240060493	4 DL 6/	1/8 NPT	1/8 NPT	14	12	31,5	17	10
	6	0240060494	4 DL 6/	1/4 NPT	1/4 NPT	14	14	37,5	23	15
	8	0240080495	4 DL 8/	1/4 NPT	1/4 NPT	17	17	38	24	15
	10	0240100496	4 DL 10/	1/4 NPT	1/4 NPT	19	17	39	24	15
	10	0240100497	4 DL 10/	3/8 NPT	3/8 NPT	19	19	40	25	15
	12	0240120449	4 DL 12/	1/4 NPT	1/4 NPT	22	19	39	25	15
	12	0240120498	4 DL 12/	3/8 NPT	3/8 NPT	22	19	39	25	15
	12	0240120500	4 DL 12/	1/2 NPT	1/2 NPT	22	24	44	30	20
PN 160	15	0240150501	4 DL 15/	1/2 NPT	1/2 NPT	27	24	46	31	20
	18	0240180502	4 DL 18/	1/2 NPT	1/2 NPT	32	27	48	31,5	20
PN 100	22	0240220503	4 DL 22/	3/4 NPT	3/4 NPT	36	32	52	33,5	20
	28	0240280504	4 DL 28/1"	NPT	1" NPT	41	41	53	39,5	25
PN 100	35	0240350505	4 DL 35/1 1/4"	NPT	1 1/4 NPT	50	46	61,5	40	25,5
	42	0240420434	4 DL 42/1 1/2"	NPT	1 1/2 NPT	60	55	65	42	26